



# DLUX LINEAR DOWNLIGHT

FOR GYPSUM BOARD CEILINGS

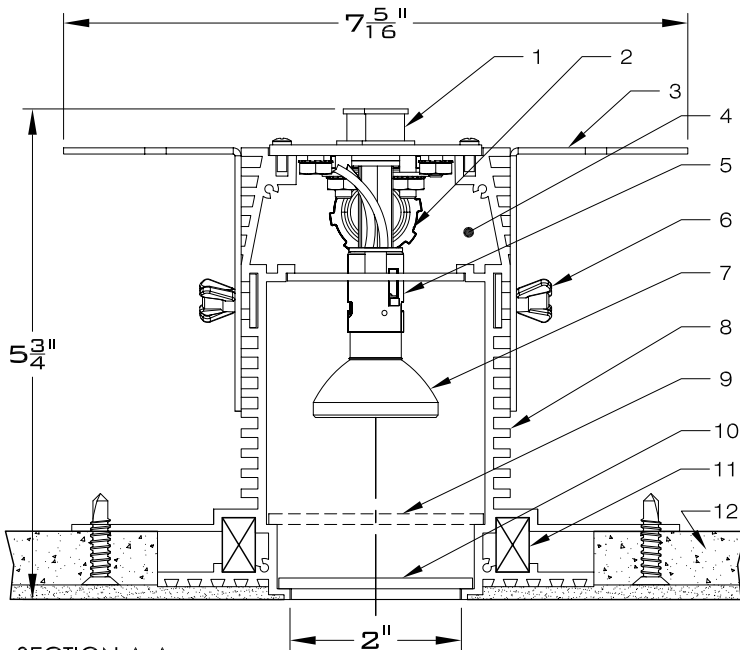
DLUX is the new seamlessly integrated linear lighting system by NULUX. Various models in the DLUX system perform a range of lighting functions, from compositional downlighting to grazing architectural planes.

The DLUX downlight is designed to be a slim, continuous line of light in the ceiling plane.

## FEATURES:

- 2 inch slot aperture
- Extruded aluminum housing designed for trimless gypsum board ceiling installation
- 20W MR11 or ALR 12 lamps with 4 or 6 inch lamp spacing
- Available in standard lengths in 4 or 6 inch increments
- 90° mitered corner option
- Integral electronic transformer (120/12V) suitable for AFCI breakers or remote transformer option (12V, Q-Tran recommended)
- Lensing options include a regressed or flush lens in single or double ply glass
- Non-IC thermally protected luminaire
- Suitable for damp location with open trim assembly
- Suitable for wet location only with covered ceiling mount and lens trim assembly

DLUX for gypsum is NRTL (Nationally Recognized Testing Laboratory) certified for purposes of OSHA safety standards product-approval requirements.

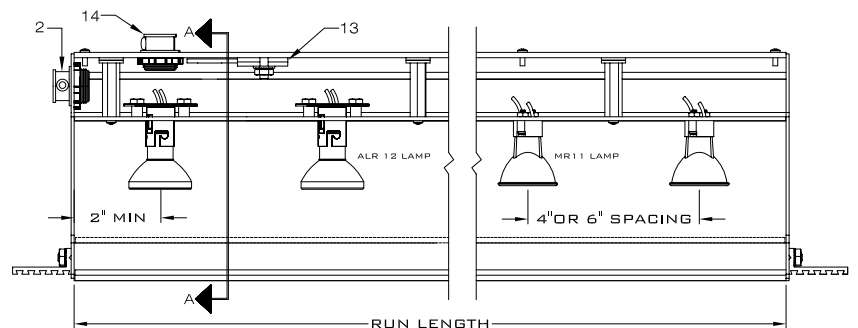


SECTION A-A

### NOTES:

1. Top in-line feed / BX connector
2. End feed / BX connector
3. Adjustable mounting bracket (reversible)
4. Wire compartment
5. Lampholder
6. Wing nut for adjustable mounting bracket
7. 20W Max ALR 12 or MR11 12V lamp, by others
8. Extruded aluminum housing
9. Upper lens location (single ply only)
10. Lower lens location (single or double ply)
11. Mechanical connection spline
12. 13/16" ceiling thickness = 5/8" gyp board + 3/16" skim coat
13. Thermal protector
14. Top end feed / BX connector

ALR12	MR11
Narrow Spot/10°	Spot/10°
Spot/24°	Flood/35°
Flood/38°	



## ORDERING MATRIX: DLUX-GG- \_ \_ \_ \_ - \_ \_ \_ \_ \_

Lamp Type	Lamp Spacing	Transformer	Exterior Finish	Interior Finish	Length	Lower Lens-Single ply	Upper Lens-Single ply	Lower lens-Double ply
<b>M</b> 20W MR11	<b>4</b> 4"	<b>R</b> Remote 12V	<b>W</b> White	<b>W</b> White	Specify in even lengths of 4" or 6" increments	<b>N</b> None	<b>N</b> None	<b>N</b> None
<b>A</b> 20W ALR 12	<b>6</b> 6"	<b>I</b> Integral 120/12V	<b>B</b> Black	<b>B</b> Black		<b>S</b> Solite	<b>S</b> Solite	<b>S/C</b> Solite-Clear
				<b>S</b> Silver		<b>E</b> Light Etch	<b>E</b> Light Etch	<b>S/E</b> Solite-Light Etch
				<b>C</b> Custom		<b>LS</b> Linear Spread	<b>LS</b> Linear Spread	<b>S/S</b> Solite-Solite
					<b>SE</b> Solite/Light Etch	<b>SE</b> Solite/Light Etch	<b>L/E</b> Linear Spread-Light Etch	
					<b>LE</b> Linear Spread/Light Etch	<b>LE</b> Linear Spread/Light Etch		

Contact NULUX directly to specify custom products  
Specify Wet Location Lens

Layout drawing required to confirm feed locations, mechanical splines and lens layout

4/9/14