

# DLUX LINEAR WALLGRAZER

FOR WOOD OR STONE CEILINGS

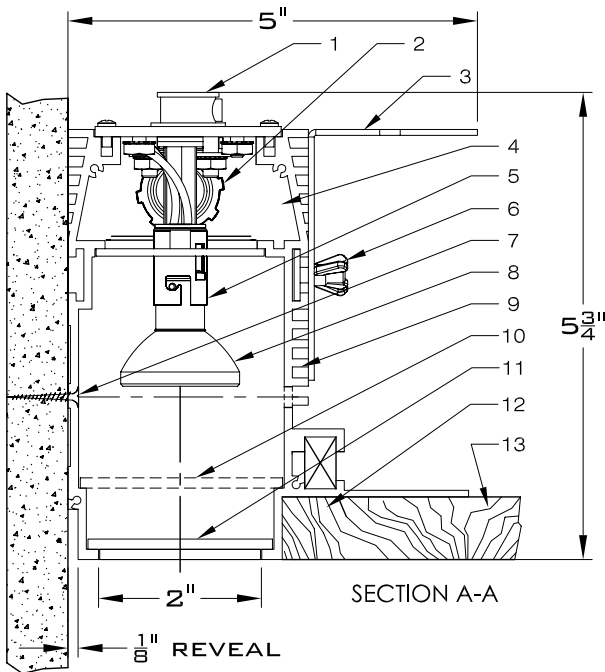
DLUX is the new seamlessly integrated linear lighting system by NULUX. Various models in the DLUX system perform a range of lighting functions, from compositional downlighting to grazing architectural planes.

The DLUX wallgrazer is designed to reveal architectural surfaces such as textured wood, stone or plaster.

## FEATURES:

- 2 inch slot aperture
- Extruded aluminum housing designed for trimless wood or stone ceiling installation
- 20W MR11 or ALR 12 lamps with 4 or 6 inch lamp spacing
- Available in standard lengths in 4 or 6 inch increments
- 90° mitered corner option
- Integral electronic transformer (120/12V) suitable for AFCI breakers or remote transformer option (12V, Q-Tran recommended)
- Lensing options include a regressed or flush lens in single or double ply glass
- Non-IC thermally protected luminaire
- Suitable for damp location with open trim assembly
- Suitable for wet location only with covered ceiling mount and lens trim assembly

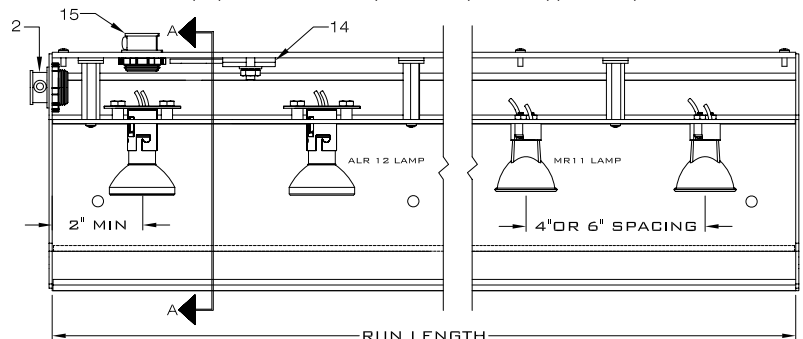
DLUX for wood/stone is NRTL (Nationally Recognized Testing Laboratory) certified for purposes of OSHA safety standards product-approval requirements.



## NOTES:

1. Top in-line feed / BX connector (by others)
2. End feed / BX connector (by others)
3. Adjustable mounting bracket (reversible)
4. Wire compartment
5. Lampholder
6. Wing nut for adjustable mounting bracket
7. Mounting hole to attach to wall surface
8. 20W Max ALR 12 or MR11 12V lamp (by others)
9. Extruded aluminum housing
10. Upper lens location (single ply only)
11. Lower lens location (single or double ply)
12. Mechanical connection spline
13. 3/4" ceiling thickness for Wood or Stone
14. Thermal protector
15. Top end feed / BX connector (by others)

ALR12	MR11
Narrow Spot/10°	Spot/10°
Spot/24°	Flood/35°
Flood/38°	



## ORDERING MATRIX: DLUX-WR- \_\_\_\_\_ - \_\_\_\_\_

Lamp Type	Lamp Spacing	Transformer	Exterior Finish	Interior Finish	Length	Lower Lens-Single ply	Upper Lens-Single ply	Lower lens-Double ply
<b>M</b> 20W MR11	<b>4</b> 4"	<b>R</b> Remote 12V	<b>W</b> White	<b>W</b> White	Specify in even lengths of 4" or 6" increments	<b>N</b> None	<b>N</b> None	<b>N</b> None
<b>A</b> 20W ALR 12	<b>6</b> 6"	<b>I</b> Integral 120/12V	<b>B</b> Black	<b>B</b> Black		<b>S</b> Solite	<b>S</b> Solite	<b>S/C</b> Solite-Clear
				<b>S</b> Silver		<b>E</b> Light Etch	<b>E</b> Light Etch	<b>S/E</b> Solite-Light Etch
				<b>C</b> Custom		<b>LS</b> Linear Spread	<b>LS</b> Linear Spread	<b>L/E</b> Linear Spread-Light Etch
						<b>SE</b> Solite/Light Etch	<b>SE</b> Solite/Light Etch	
						<b>LE</b> Linear Spread/Light Etch	<b>LE</b> Linear Spread/Light Etch	

Contact NULUX directly to specify custom products  
Specify Wet Location Lens

Layout drawing required to confirm feed locations, mechanical splines and lens layout

4/9/14