

# MICROLUX U SQUARE

## ADJUSTABLE ACCENT

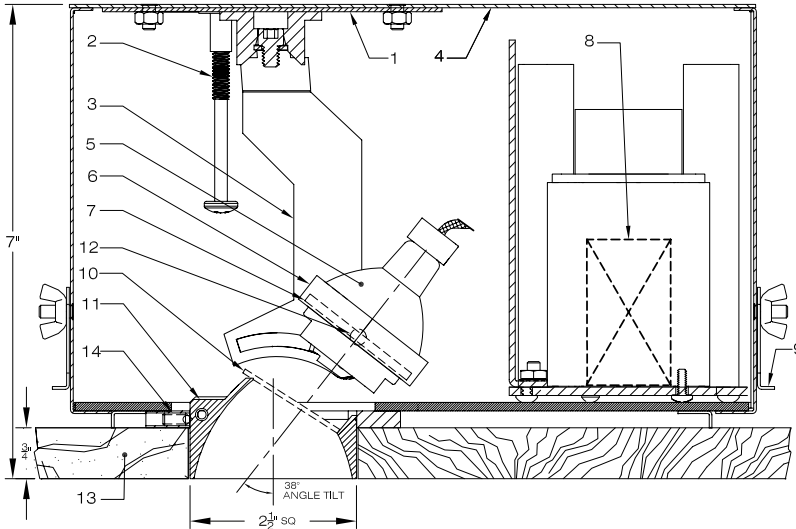
FOR WOOD OR STONE CEILINGS

MICROLUX U SQUARE is a square aperture luminaire with the ability to switch between downlight and adjustable accent applications. The MICROLUX U SQUARE AA is designed to integrate seamlessly into wood or stone ceilings and to provide maximum flexibility in illuminating artwork and objects from a small aperture.

### FEATURES:

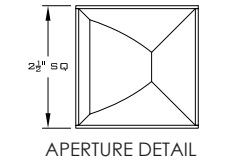
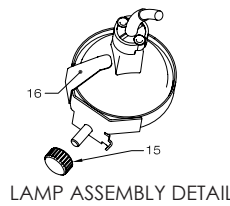
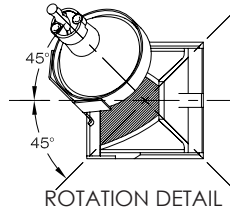
- Small 2.5" x 2.5" square aperture
- Adjustable accent has full 360° rotation and 38° lamp-holder tilt
- Low brightness square reflector cone with angled cut
- Cone held in place by spring-loaded ball catches
- Trimless 3/4" wood or stone ceiling installation
- Individual lensing options at both lamp and trim
- Additional accessories are available
- Non-IC thermally protected luminaire
- Suitable for damp location with open trim assembly
- Suitable for wet location only with covered ceiling mount and lens trim assembly

MICROLUX U SQUARE is NRTL (Nationally Recognized Testing Laboratory) certified for purposes of OSHA safety standards product-approval requirements.



### NOTES:

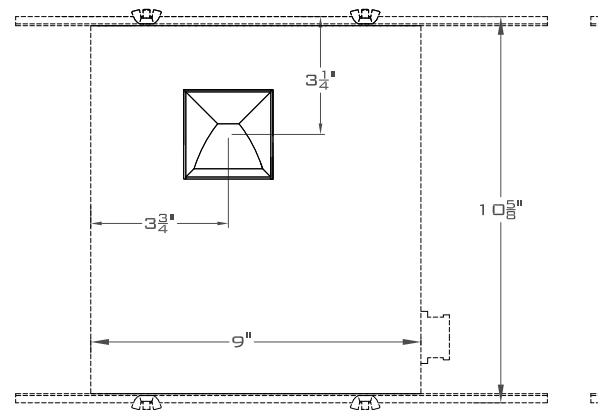
1. 360° rotation disc
2. Rotation lock screw
3. Arc slotted yoke allows 0-38° tilt, locks with knob
4. 18 GA steel housing
5. 12V MR16 lamp, 50W Max (by others)
6. Lampholder assembly
7. Lamp assembly lens
8. Electronic transformer
9. Adjustable mounting bars
10. Optional trim lens
11. 2.5" x 2.5" square cone with angled cut
12. Lens rotation lock
13. Wood or stone ceiling, 3/4" thick
14. Spring-loaded ball catch
15. Tilt adjustment lock knob
16. Lamp retaining spring



### CONE POSITION:

Lampholder assembly rotates a full 360°. Cone may be rotated to 4 positions at 90° intervals. Each position accommodates lamp rotation up to 45° offset from center, in either direction. Square cone design provides minimal light loss at the full 45° offset.

\*Please note when adjusting tilt angle, trim and lamp-holder assembly need to be removed from housing\*



## ORDERING MATRIX: MUSQ-W- \_ \_ \_ \_ - \_ \_ \_ \_ -

| Application  | Voltage         | Transformer        | Cone Finish | Lamp Lens             | Trim Lens | Additional Accessories |
|--------------|-----------------|--------------------|-------------|-----------------------|-----------|------------------------|
| AA Adj Angle | 120 120/12V     | E Electronic       | C Clear     | CL Clear              | N None    | N None                 |
|              | 277 277/12V     | AE AFCI Electronic | P Pewter    | SO Solite             | C Clear   | HC Hex Cell Louver     |
|              | 12 12V (Remote) | R Remote           | G Gold      | LS Light Etch Solite  | S Solite  | CUV Clear UV Lens      |
|              |                 |                    | B Black     | SD Stippled           |           | O Other                |
|              |                 |                    | W White     | LS5 Linear Spread 55° |           | WL Wet Location Lens   |
|              |                 |                    | CC Custom   | LS7 Linear Spread 75° |           |                        |
|              |                 |                    | * Add Etch  | WW Wallwash 55/75°    |           |                        |

Contact NULUX directly to specify custom products.

\* To Specify Etch Cone Finish, versus standard Specular Finish, place asterisk after Cone Finish designation in matrix.

5/26/2015