



SPOTLUX 47

DEEP ANGLE CUT

FOR WOOD OR STONE CEILINGS

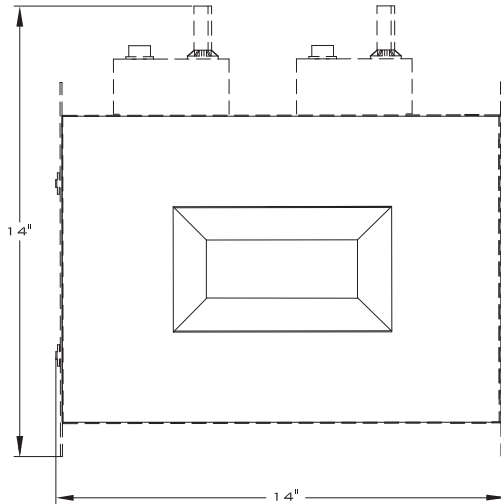
SPOTLUX 47 Deep Angle Cut is a twin lamp, rectangular aperture luminaire for adjustable accent or wallwash applications. With a machined deep angled cut trim, the SPOTLUX 47 DAC is designed to provide maximum flexibility in illuminating vertical surfaces, artwork and more.

FEATURES:

- Aluminum 4" x 7" pyramidal trim machined with angled cut and solite lens
- Dual independent lamp adjustability with 90° rotation on two pivot points and 25° lampholder tilt.
- Adjustable accent or wallwash capabilities
- Lamp assembly and trim are interchangeable with the original SPOTLUX 47 fixture
- Alternate transformer box locations are available, contact factory for specifications
- Individual lensing options at lamp
- Additional accessories are available
- Non-IC thermally protected luminaire

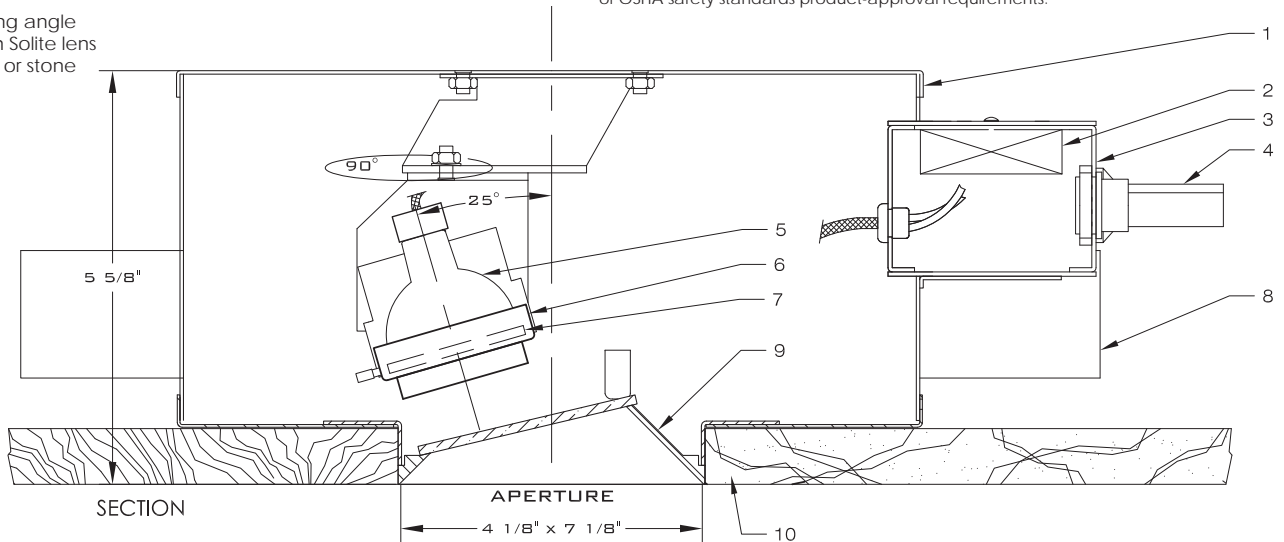
SPOTLUX 47 is NRTL (Nationally Recognized Testing Laboratory) certified for purposes of OSHA safety standards product-approval requirements.

REFLECTED PLAN VIEW



NOTES:

1. 20 GA steel housing
2. (2) Electronic transformers
3. Transformer box
4. Thermal protector
5. (2) 12V MR16 lamps, 50W Max (by others)
6. Lamp holder assembly
7. Lamp lens
8. Adjustable mounting angle
9. Machined trim with Solite lens
10. Ceiling: 3/4" wood or stone



ORDERING MATRIX: **SPT47-DAC-W-** _____

Voltage	Transformer	Interior Finish	Trim Finish	Lamp A Lens	Lamp B Lens	Trim Lens	Additional Accessories
120/120V	E Electronic	B Black*	W* White	C Clear Pyrex	C Clear Pyrex	S Solite*	N None
	AE AFCI Electronic	W White	B Black	S Solite	S Solite	N None	HC Hex Cell Louver
	M Magnetic		S Silver	D Stippled	D Stippled		CUV Clear UV Lens
			CC Custom	LS Linear Spread	LS Linear Spread		O Other
			CA Clear Anodized	W Wallwash 55/75	W Wallwash 55/75		

* Standard options
Contact NULUX directly to specify custom products