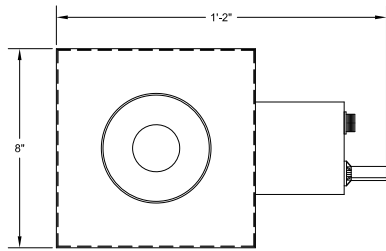


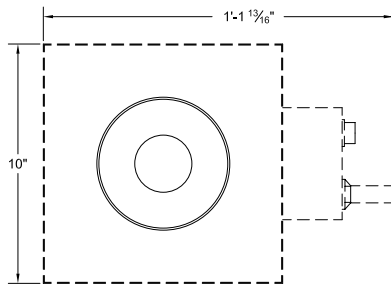
REFLECTED PLAN VIEW

50W Max 8" x 8" Housing

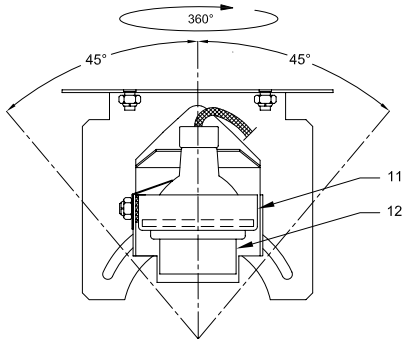


REFLECTED PLAN VIEW

65W Max 10" x 10" Housing



OBJECT ASSEMBLY



NOTES:

1. 20 GA steel housing
2. 12V MR16 lamp, 65W max (by others)
3. Lamp lens
4. Electronic transformer
5. Thermal protector
6. Transformer box
7. Adjustable mounting bar
8. Trim lens
9. Aluminum trim, lens optional
10. 3/4" wood or stone ceiling
11. Lamp holder assembly
12. Object front end

SPOTLUX

ROUND CONE

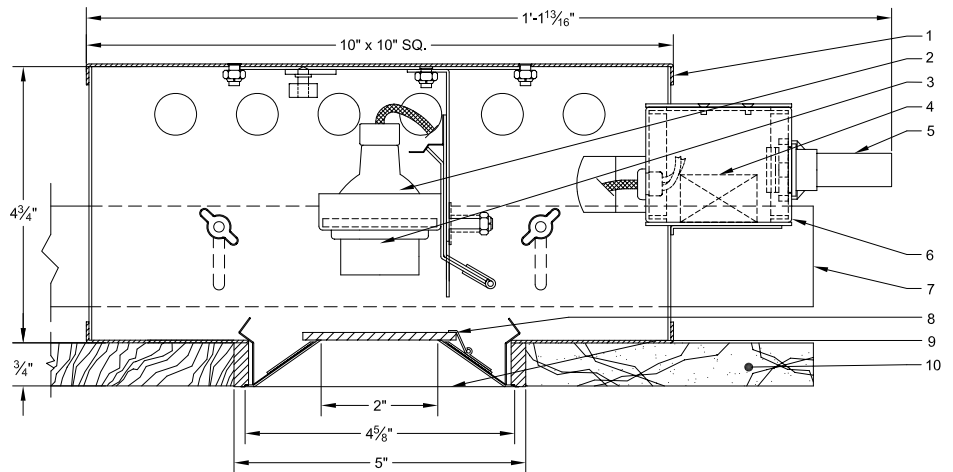
FOR WOOD OR STONE CEILINGS

SPOTLUX ROUND is an MR16 adjustable accent fixture designed to provide elegant illumination by using the smallest possible circular light opening of 2". Round cone is a nominal 4-5/8" diameter removable trim that provides glare reduction by elevating the aperture above the ceiling plane. This luminaire system is a full family, providing space and object illumination and wallwashing with interchangeable internal mechanisms. SPOTLUX ROUND is designed for flangeless installation in wood or stone ceilings.

FEATURES:

- Aluminum round cone trim with optional lens
- Trim design reduces glare
- Adjustable accent capabilities
- Individual lensing options at lamp
- Additional accessories are available
- Non-IC thermally protected luminaire
- Suitable for damp location with open trim assembly
- Suitable for wet location only with covered ceiling mount and lens trim assembly

SPOTLUX ROUND is NRTL (Nationally Recognized Testing Laboratory) certified for purposes of OSHA safety standards product-approval requirements.



ORDERING MATRIX: SPT4-R-W

Application	Wattage	Voltage	Transformer	Interior Finish	Trim Finish	Lamp Lens	Trim Lens	Additional Accessories
A Adj Angle	65W 65W-10x10 50W 50W-8x8	120 120/12V	E Electronic AE AFCI Electronic M Magnetic	B Black W White	W White B Black CA Clear Anodized C Custom	C Clear Pyrex S Solite D Stippled LS Linear Spread W Wallwash 55/75	N None C Clear Pyrex S Solite	N None HC Hex Cell Louver CUV Clear UV Lens O Other UVC UV Lens Coating WL Wet Location Lens

Contact NULUX directly to specify custom products

11/10/14