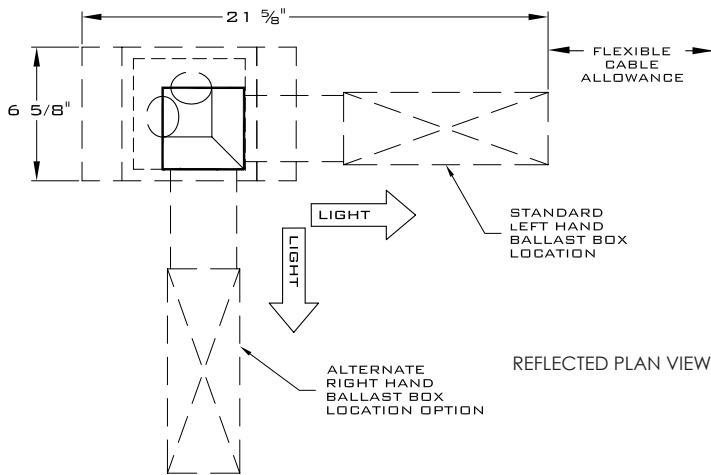


# WASHLUX CORNER

## CMH WALLWASHER

FOR GYPSUM BOARD CEILINGS



**NOTES:**

1. Porcelain socket
2. Lamp retaining spring
3. CMH MR16 lamp, 20W or 39W (by others)
4. Extruded aluminum and 18 GA steel housing
5. Lamp holder assembly
6. Wallwash lens
7. Kicker reflector
8. Ceiling 5/8" gypsum board + 1/8" skim coat
9. Hinged connecting plate
10. Flexible cable
11. Thermal protector
12. Ballast box
13. Ballast

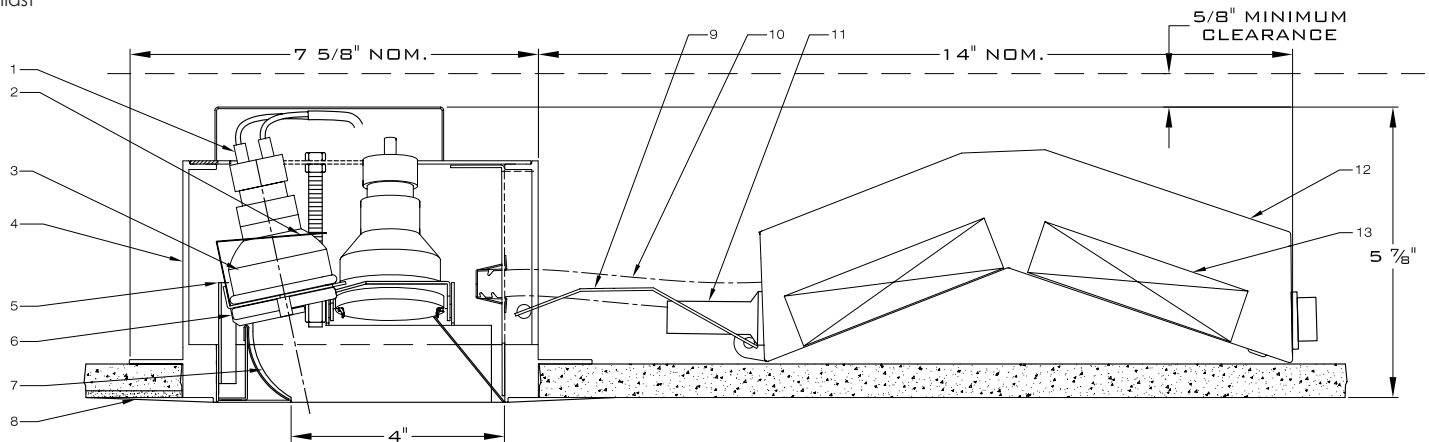
The WASHLUX CMH series is composed of luminaires with precision optics for wallwash applications. The fixture series utilizes energy efficient CMH MR16 lamps and ballasts in either 20W or 39W. The following configurations are available: 1/2/3/4 Lamp units as well as a Corner fixture.

The WASHLUX CORNER is a 2-lamp wallwasher designed for right angle corner applications. Using the original wallwashing optics in a 4 inch square aperture, the WASHLUX CORNER provides even illumination on two perpendicular surfaces.

**FEATURES:**

- 4"x4" ceiling aperture
- Two ballast box location options
- Ballast box accessible through fixture opening
- Lamping options: 20W or 39W CMH MR16
- Voltage options: 120V or 277V
- Factory set wallwash aiming position
- 1:1 spacing ratio
- Typical layout formula:  
Distance from wall = Ceiling Height x 0.3
- Non-IC thermally protected luminaire

WASHLUX CORNER CMH is NRTL (Nationally Recognized Testing Laboratory) certified for purposes of OSHA safety standards product-approval requirements.



**ORDERING MATRIX: WSH-CMH-CRNR-GYP- \_ \_ \_ - \_ \_ \_**

Lamp	Voltage	Ballast Box Location	Reflector Finish	Lens
<b>20</b> 20W CMH MR16	<b>120</b> 120V	<b>L</b> Standard Left	<b>C</b> Clear Anodized	<b>W</b> Wallwash
<b>39</b> 39W CMH MR16	<b>277</b> 277V	<b>R</b> Alternate Right	<b>W</b> White	

Contact NULUX directly to specify custom products

07/05/12